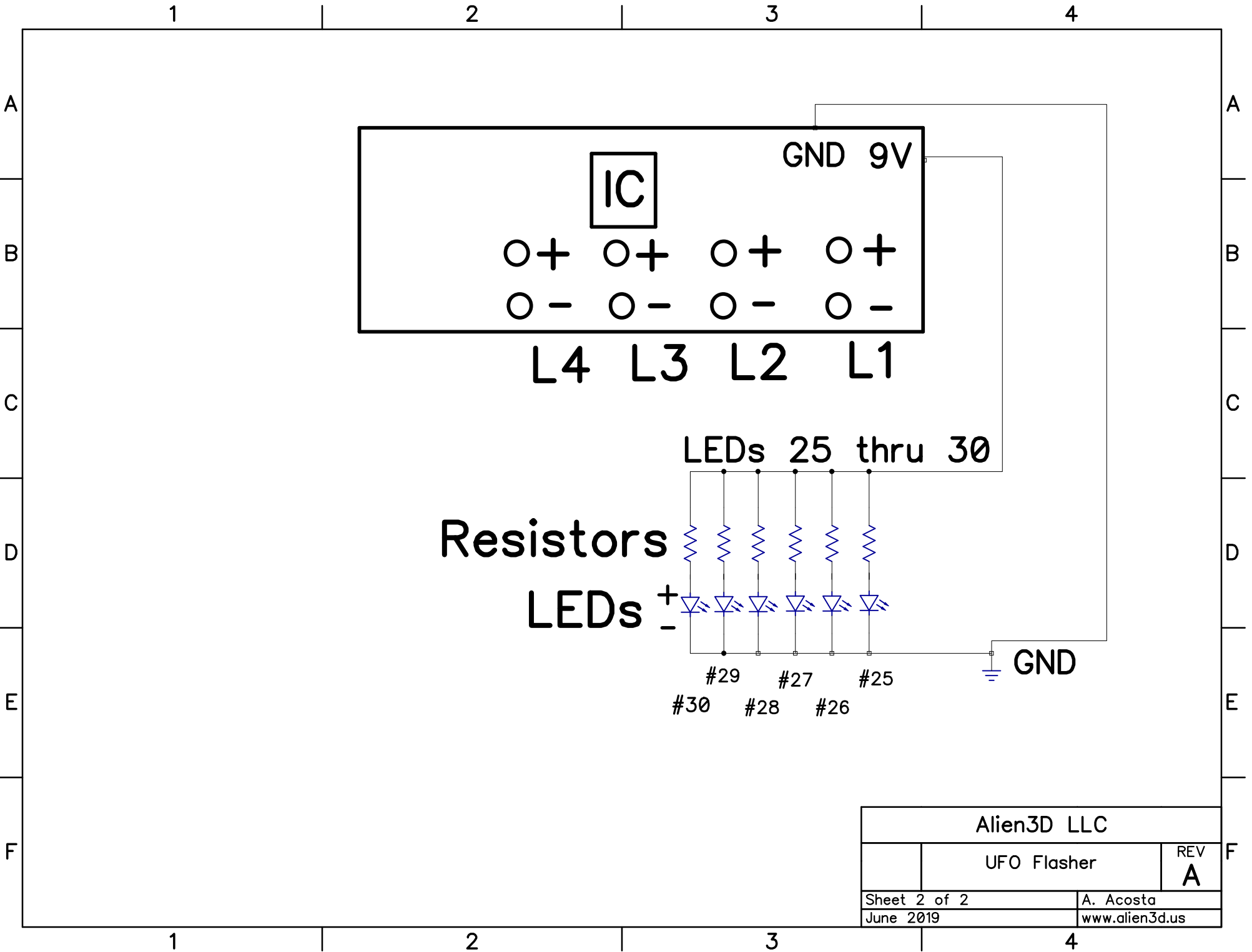


Notes:

1. Resistors are non-polarized
2. Pay close attention to the LED Polarity!
LEDs will have to be identified by the Inner filament
3. All grounds on Individual LEDs need to be connected to each other.
4. LEDs need to be wired every other 4 to have a smooth lighting pattern

LEDS 1 thru 24

Alien3D LLC		
	UFO Flasher	REV A
Sheet 1 of 2	A. Acosta	
June 2019	www.alien3d.us	



Alien3D LLC		
	UFO Flasher	REV A
Sheet 2 of 2	A. Acosta	
June 2019	www.alien3d.us	